



**SPARE PARTS CATALOGUE
ERSATZTEILKATALOG
CATALOGUE PIECES DETACHEES
CATALOGO PARTI RICAMBIO
CATALOGO DE PIEZAS DE RECAMBIO
CATALOGO PECAS, DE REPOSICAO**

Catalogo parti di ricambio valido
dalla matricola 2927150 ad oggi (29/10/2021)

Catalogue pieces detachees
du numero de Série n. 2927150 jusqu'à aujourd'hui (29/10/2021)

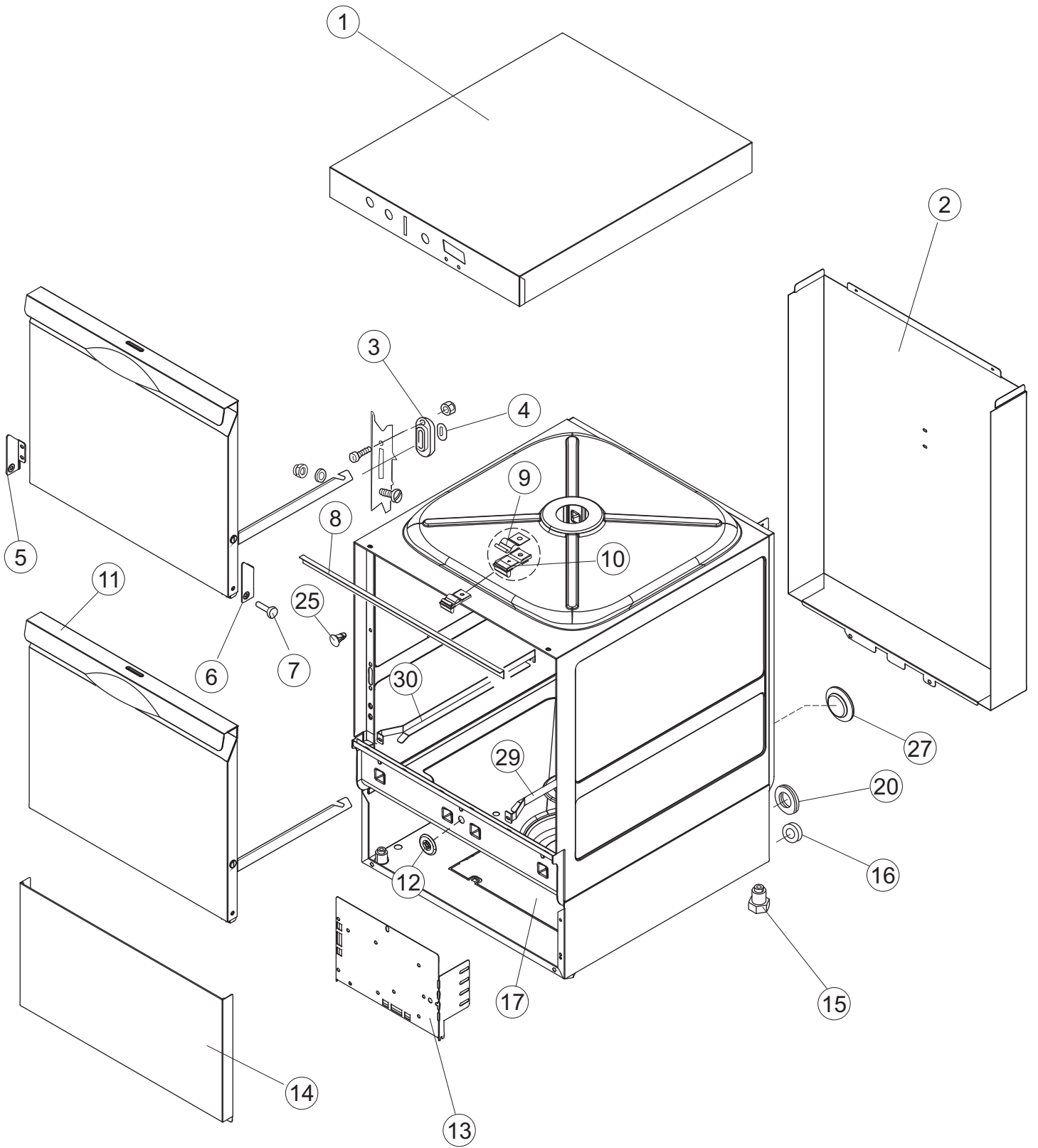
Ersatzteilkatalog
gültig ab Serien-Nr. 2927150 bis heute (29/10/2021)

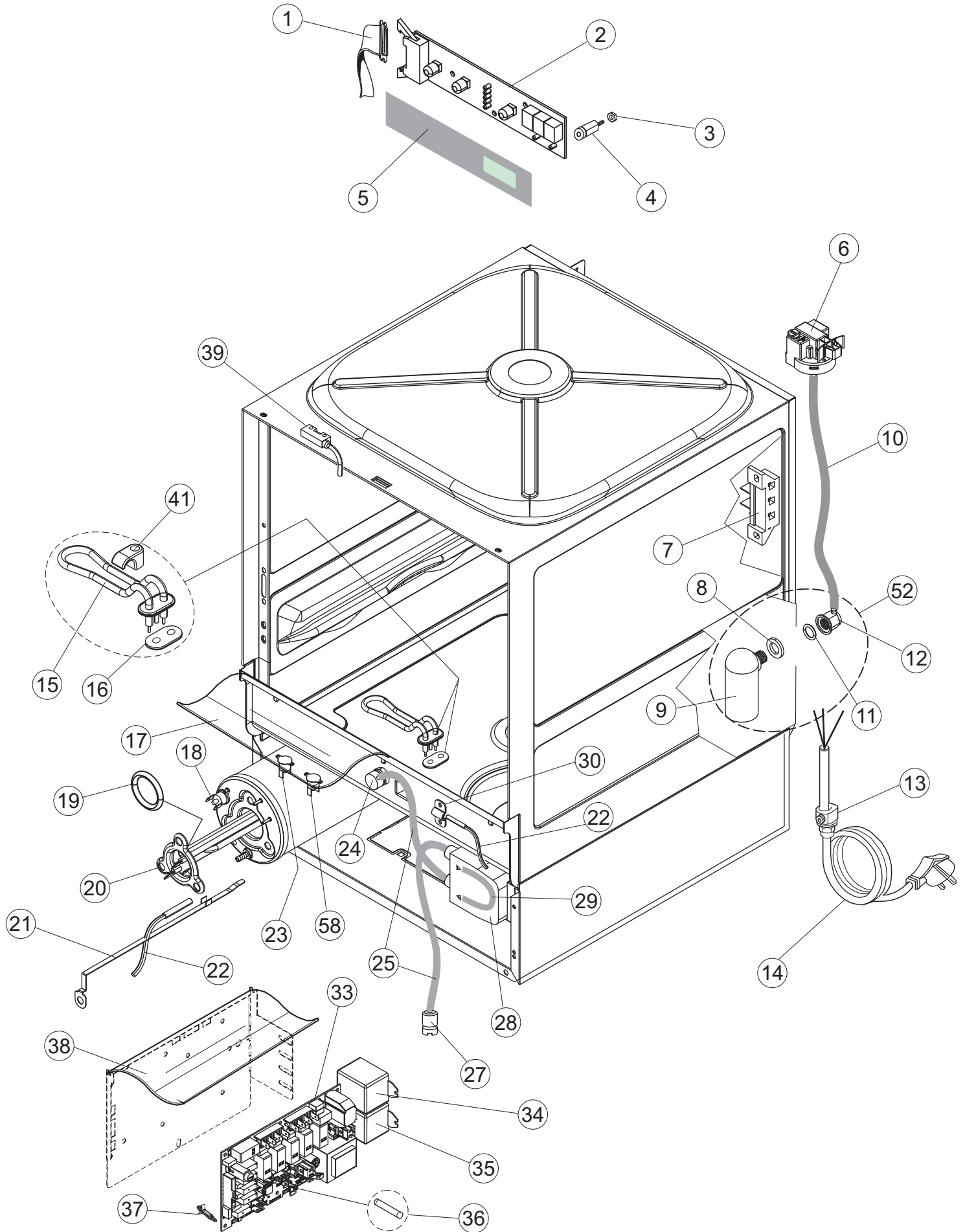
Spare parts catalogue
valid from serial no. 2927150 up today (29/10/2021)

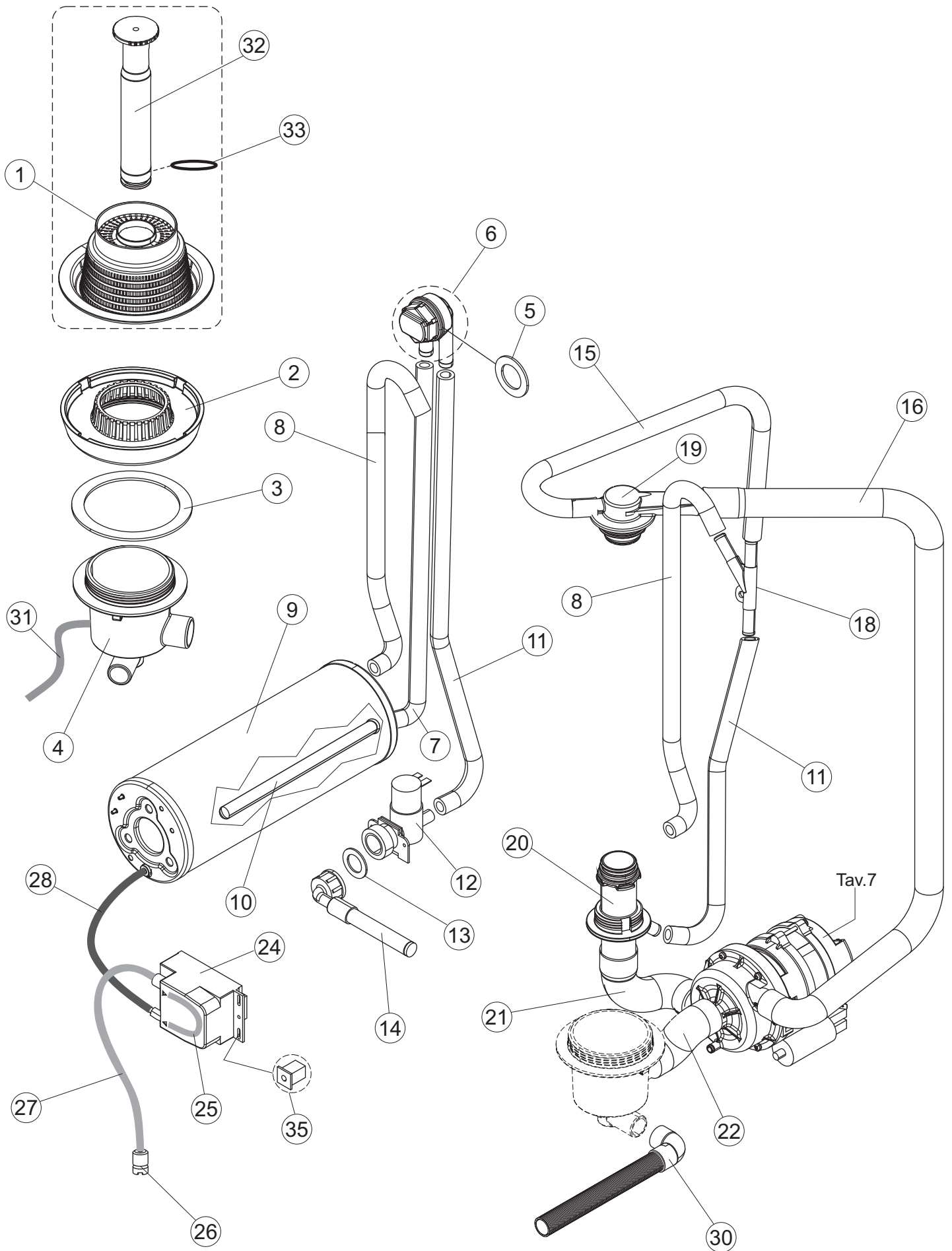
Catálogo de peças de reposição
válido do número de série 2927150 até hoje (29/10/2021)

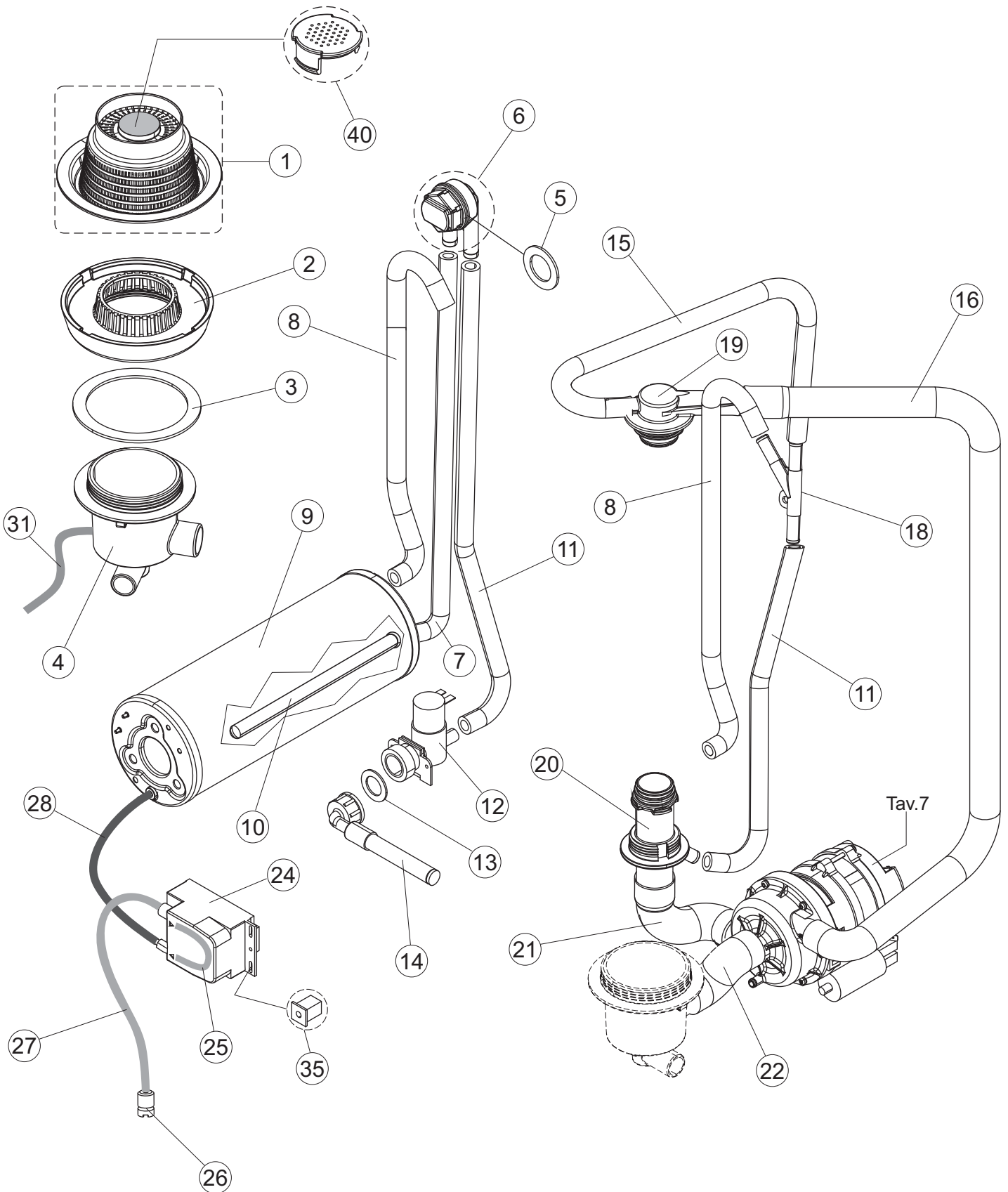
LVP3040ED

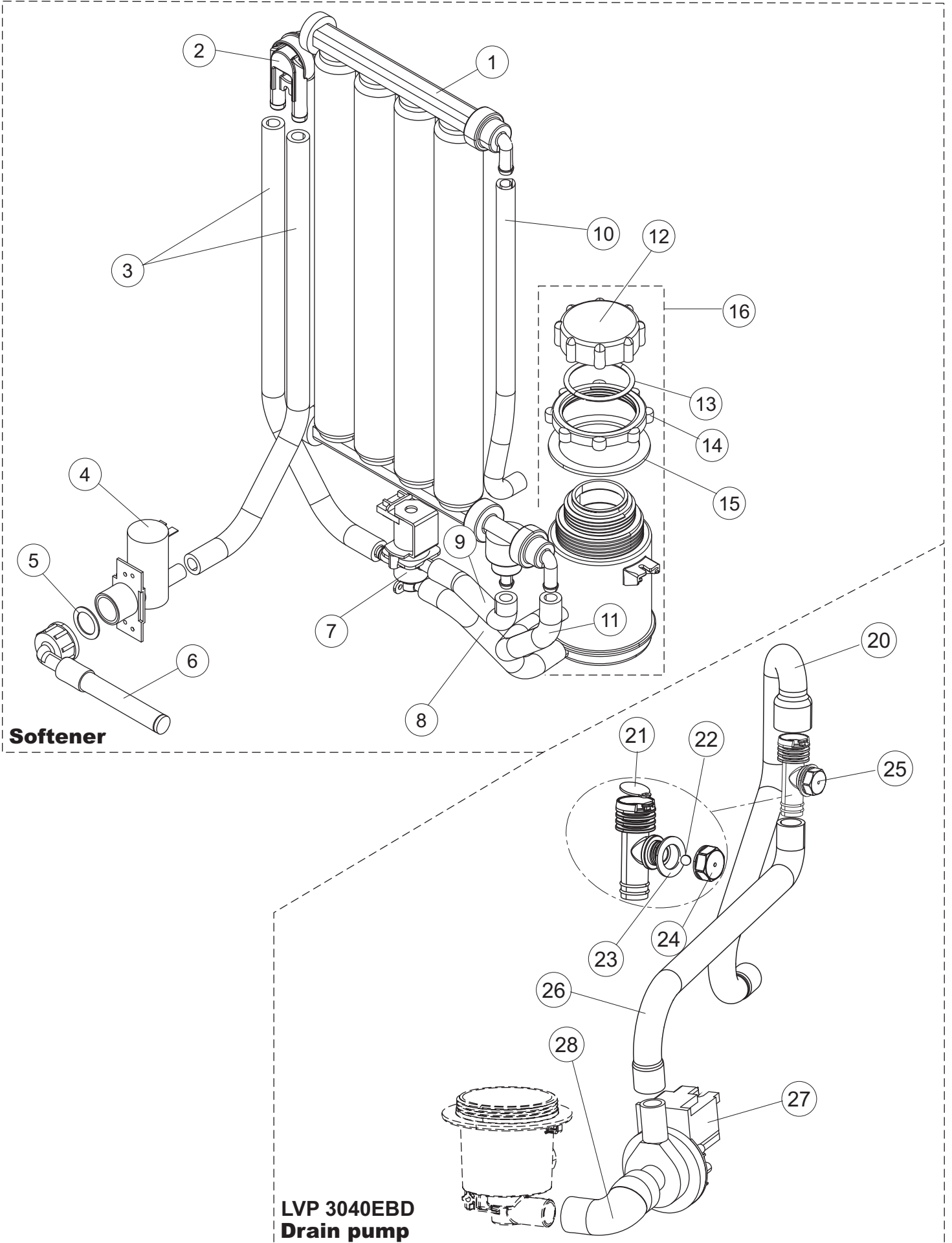
1







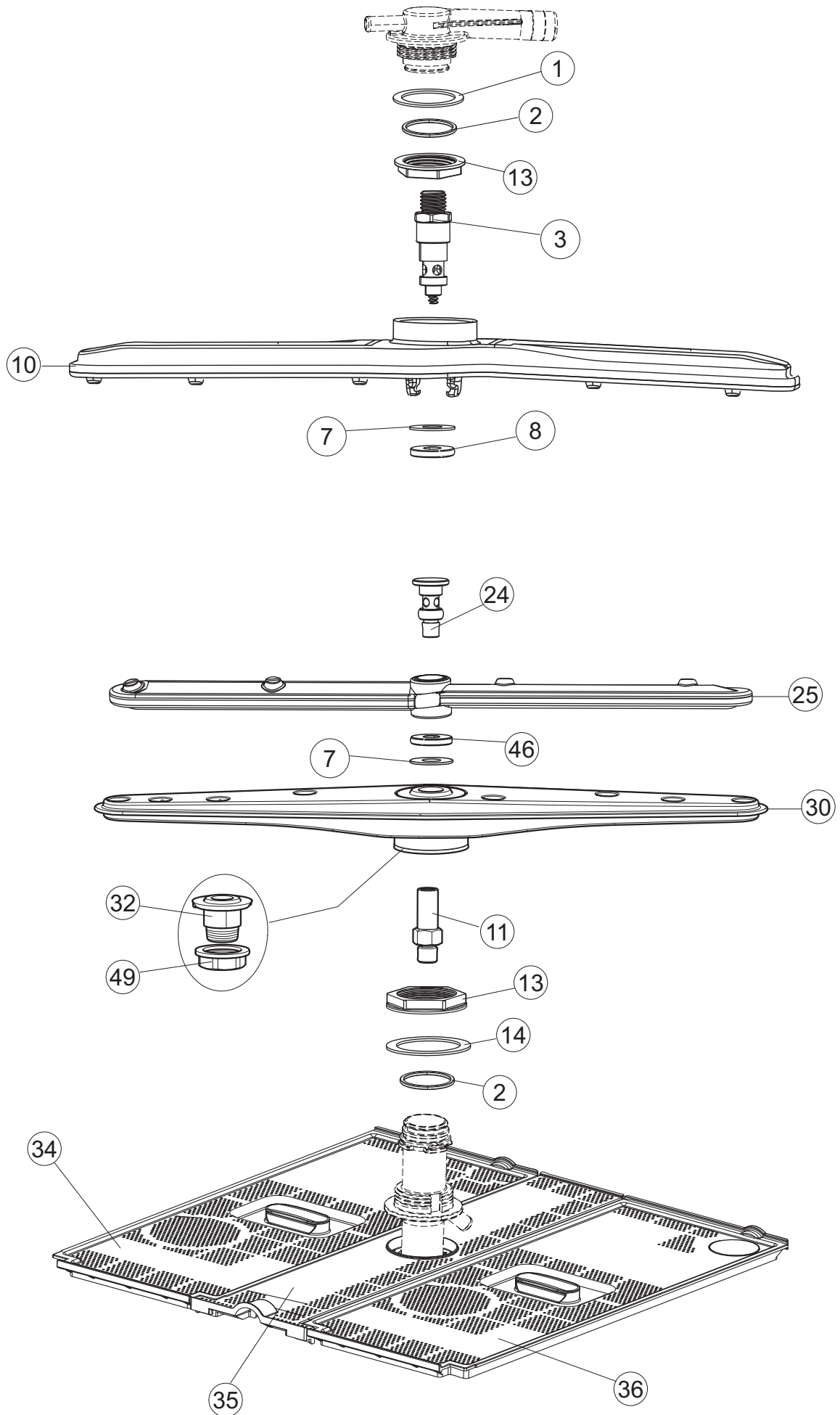


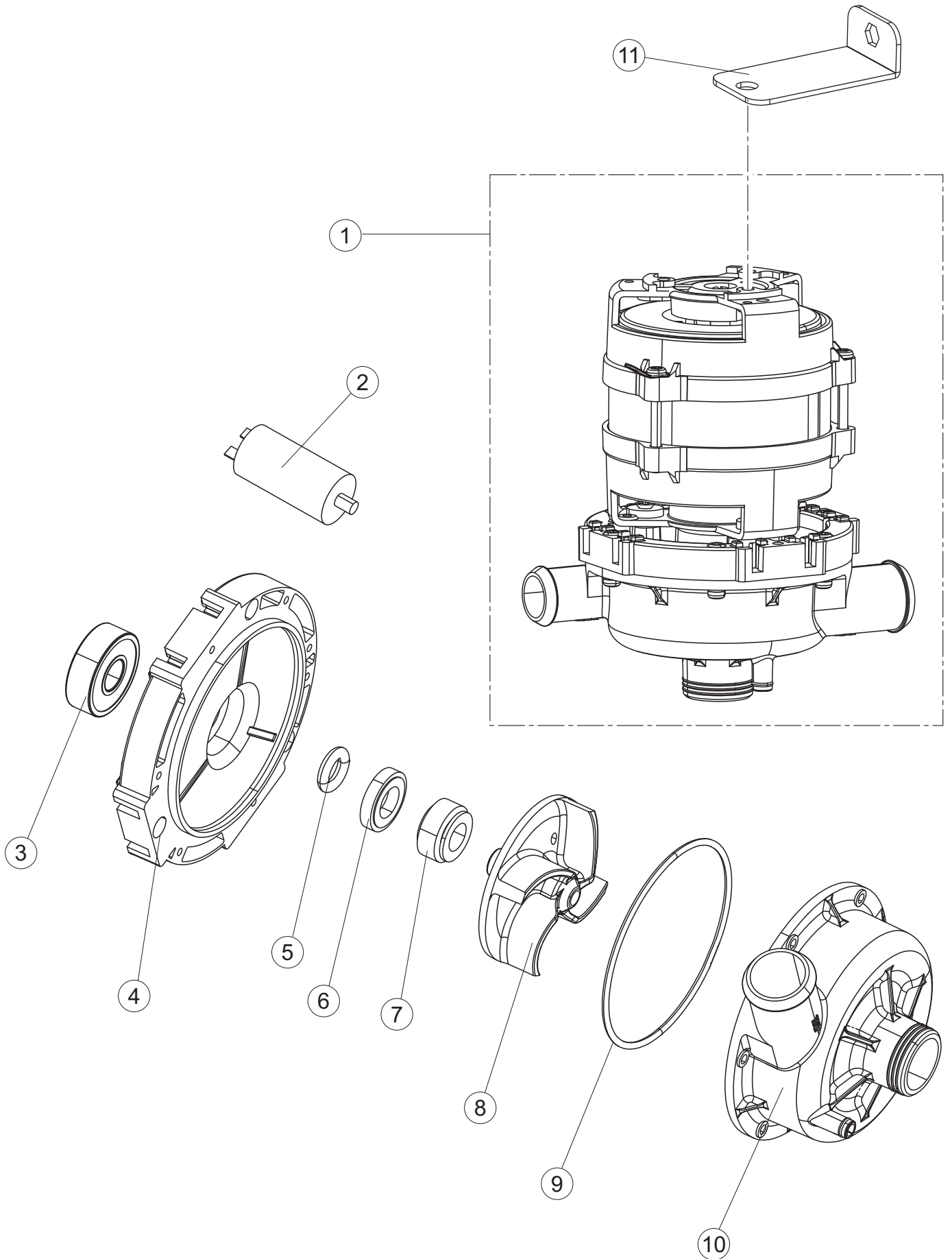


Softener

**LVP 3040EBD
Drain pump**

6





(*) Recommended spare part.

| Page | Spare part position | Spare part code no. | Old code number | Description | U.m. |
|------|---------------------|---------------------|-----------------|---|------|
| 1 | 1 | 004336 | | COVER | NR |
| 1 | 2 | 022165 | | BACK PANNEL LA400 | NR |
| 1 | 3 | 307005 | | ROD OF TOP DOOR-STOP BAR | NR |
| 1 | 4 | 028078 | | DOOR SHOULDER PLATE FOR GLASSWASHER | NR |
| 1 | 5 | 311009 | | RIGHT DOOR HINGE FOR GLASSWASHERS | NR |
| 1 | 6 | 311008 | | RIGHT DOOR HINGE FOR GLASSWASHERS | NR |
| 1 | 7 | 325034 | | PIVOT | NR |
| 1 | 8 | 437058 | | DOOR GASKET FOR GLASSWASHER | NR |
| 1 | 9 | 449036 | | DOOR LOCK SPRING FOR GLASSWASHERS | NR |
| 1 | 10 | 329012 | | DOOR LOCK FOR GLASSWASHERS | NR |
| 1 | 11 | 029816 | | DOOR | NR |
| 1 | 12 | 480153 | | PLUG | NR |
| 1 | 13 | 035126 | | BRACKET | NR |
| 1 | 14 | 012350 | | FRONT PANEL LA400 | NR |
| 1 | 15 | 461031 | | HEXAGONAL FOOT FOR GLASSWASHER | NR |
| 1 | 16 | 459006 | | CHOCK D INT 9 EST 16 | NR |
| 1 | 17 | 030202 | | BASE PROTECTION LA400 | NR |
| 1 | 20 | 459022 | | CABLEHOSE | NR |
| 1 | 25 | 480164 | | PLUG | NR |
| 1 | 27 | 480084 | | PLUG | NR |
| 1 | 29 | 015071 | | RACK SLIDE DX. | NR |
| 1 | 30 | 015072 | | RACK SLIDE SX. | NR |
| 2 | 1 | 211017 | | FLAT CABLE | NR |
| 2 | 2 | 80945 | | PUSH BUTTONS ASSEMBLY | NR |
| 2 | 3 | 417119 | | NUT | NR |
| 2 | 4 | 419036 | | INTERFACE BOARD DISTANCE KEEPERS | NR |
| 2 | 5 | 026951 | | CONTROL ADHESIVE INTERFACE | NR |
| 2 | 6 | 224031 | | PRESSURE SWITCH | NR |
| 2 | 7 | 220010 | | TERMINAL BLOCK | NR |
| 2 | 8 | 437019 | | PACKING FOR AIR TRAP OF PRESSURE SWITCH | NR |
| 2 | 9 | 107017 | | AIR TRAP FOR PRESSURE SWITCH | NR |
| 2 | 10 | 143235 | | PIPE | MT |

(*) Recommended spare part.

| Page | Spare part position | Spare part code no. | Old code number | Description | U.m. |
|------|---------------------|---------------------|-----------------|---|------|
| 2 | 11 | 456020 | | O-RING | NR |
| 2 | 12 | 468029 | | AIR TRAP CONNECTION OF PRESSURE SWITCH | NR |
| 2 | 13 | 459005 | | CABLE-RETAINER | NR |
| 2 | 14 | 299040 | | PLUG SCHUCKO 90- CABLE 1=2,5 MT | NR |
| 2 | 15 | 230124 | | HEATING ELEMENT | NR |
| 2 | 16 | 437086 | | PACKING OF THE TANK RESISTANCE | NR |
| 2 | 17 | 214117 | | TRANSPARENT PROTECTION FOR ELECTRIC INSTALLATION FOR DISHWASHER | NR |
| 2 | 18 | 236047 | | SAFETY TANK THERMOSTAT 95C | NR |
| 2 | 19 | 456075 | | O-RING | NR |
| 2 | 20 | 230113 | | HEATING ELEMENT | NR |
| 2 | 21 | 69871 | | PROBE HOLDER | NR |
| 2 | 22 | 231016 | | TEMPERATURE PROBE | NR |
| 2 | 23 | 236061 | | THERMOSTAT 127 | NR |
| 2 | 24 | 999348 | | DETERGENT TANK FITTING | NR |
| 2 | 25 | 143194 | | PIPE | MT |
| 2 | 27 | 121993 | | FILTER AID DISPENSER | NR |
| 2 | 28 | 209043 | | DETERGENT DOSING PUMP | NR |
| 2 | 29 | 143258 | | "SANTOPRENE" PIPE | NR |
| 2 | 30 | 028105 | | FIXING PLATE | NR |
| 2 | 33 | 215042-1 | | MAIN BOARD GET50.2 | NR |
| 2 | 34 | 229039 | | RELAY | NR |
| 2 | 35 | 229029 | | RELAY | NR |
| 2 | 36 | 228010 | | FUSE | NR |
| 2 | 37 | 461028 | | FOOT BOARD SUPPORT | NR |
| 2 | 38 | 214077 | | TRANSP. SAFETY PLATE 44 | NR |
| 2 | 39 | 80871 | | MAGNETIC DOOR SWITCH | NR |
| 2 | 41 | 999351 | | GROUP STOPPED TANK HEATER | NR |
| 2 | 52 | 984009 | | PRESSURE SWITCH AIR BELL | NR |
| 2 | 58 | 236052 | | THERMOSTAT 90+/-3C | NR |
| 3 | 1 | 121158 | | STAINER | NR |
| 3 | 2 | 429077 | | RING NUT | NR |
| 3 | 3 | 437107 | | GASKET | NR |

(*) Recommended spare part.

| Page | Spare part position | Spare part code no. | Old code number | Description | U.m. |
|------|---------------------|---------------------|-----------------|--------------------------------|------|
| 3 | 4 | 136031 | | ASPIRATION AND DRAIN BODY | NR |
| 3 | 5 | 437080 | | GASKET | NR |
| 3 | 6 | 144030 | | NO RETURN VALVE | NR |
| 3 | 7 | 127177 | | INLET BOILER PIPE LA400 | NR |
| 3 | 8 | 127178 | | BOILER PIPE LA400 | NR |
| 3 | 9 | 104056 | | BOILER | NR |
| 3 | 10 | 143228 | | PIPE | NR |
| 3 | 11 | 143004 | | PIPE | MT |
| 3 | 12 | 240011 | | FILL VALVE | NR |
| 3 | 13 | 437041 | | GASKET | NR |
| 3 | 14 | 143270 | | INLET WRAS PIPE | NR |
| 3 | 15 | 127124 | | SLEEVE | NR |
| 3 | 16 | 127175 | | DELIVERY WASH HOSE | NR |
| 3 | 18 | 143268 | | JUNCTION "Y" | NR |
| 3 | 19 | 115153 | | SUPPORT ARMS WASH / RINSE | NR |
| 3 | 20 | 115152 | | MAIN MANIFOLD | NR |
| 3 | 21 | 127176 | | DELIVERY WASH HOSE LA400 | NR |
| 3 | 22 | 127105 | | SUCTION PIPE | NR |
| 3 | 24 | 209042 | | DOSING PUMP | NR |
| 3 | 25 | 143261 | | HOSE | NR |
| 3 | 26 | 121993 | | FILTER AID DISPENSER | NR |
| 3 | 27 | H.775601 | | PIPE | MT |
| 3 | 28 | 143005 | | LINEN RUBBER PIPE 5X12 - BLACK | MT |
| 3 | 30 | 127184 | | DRAIN HOSE | NR |
| 3 | 31 | H.165168 | | PIPE | MT |
| 3 | 32 | 142060 | | TROPPO PIENO LA400 | NR |
| 3 | 33 | 456080 | | O-RING | NR |
| 3 | 35 | 431007 | | CLIPS | NR |
| 4 | 1 | 121162 | | STAINER | NR |
| 4 | 2 | 429077 | | RING NUT | NR |
| 4 | 3 | 437107 | | GASKET | NR |
| 4 | 4 | 136031 | | ASPIRATION AND DRAIN BODY | NR |

(*) Recommended spare part.

| Page | Spare part position | Spare part code no. | Old code number | Description | U.m. |
|------|---------------------|---------------------|-----------------|--------------------------------|------|
| 4 | 5 | 437080 | | GASKET | NR |
| 4 | 6 | 144030 | | NO RETURN VALVE | NR |
| 4 | 7 | 127177 | | INLET BOILER PIPE LA400 | NR |
| 4 | 8 | 127178 | | BOILER PIPE LA400 | NR |
| 4 | 9 | 104056 | | BOILER | NR |
| 4 | 10 | 143228 | | PIPE | NR |
| 4 | 11 | 143004 | | PIPE | MT |
| 4 | 12 | 240011 | | FILL VALVE | NR |
| 4 | 13 | 437041 | | GASKET | NR |
| 4 | 14 | 143270 | | INLET WRAS PIPE | NR |
| 4 | 15 | 127124 | | SLEEVE | NR |
| 4 | 16 | 127175 | | DELIVERY WASH HOSE | NR |
| 4 | 18 | 143268 | | JUNCTION "Y" | NR |
| 4 | 19 | 115153 | | SUPPORT ARMS WASH / RINSE | NR |
| 4 | 20 | 115152 | | MAIN MANIFOLD | NR |
| 4 | 21 | 127176 | | DELIVERY WASH HOSE LA400 | NR |
| 4 | 22 | 127105 | | SUCTION PIPE | NR |
| 4 | 24 | 209042 | | DOSING PUMP | NR |
| 4 | 25 | 143261 | | HOSE | NR |
| 4 | 26 | 121993 | | FILTER AID DISPENSER | NR |
| 4 | 27 | H.775601 | | PIPE | MT |
| 4 | 28 | 143005 | | LINEN RUBBER PIPE 5X12 - BLACK | MT |
| 4 | 31 | H.165168 | | PIPE | MT |
| 4 | 35 | 431007 | | CLIPS | NR |
| 4 | 40 | 480161 | | PLUG | NR |
| 5 | 1 | 117009 | | WATER SOFTNER | NR |
| 5 | 2 | 144030 | | NO RETURN VALVE | NR |
| 5 | 3 | 143004 | | PIPE | MT |
| 5 | 4 | 240016 | | SOLENOID VALVE | NR |
| 5 | 5 | 437041 | | GASKET | NR |
| 5 | 6 | 143270 | | INLET WRAS PIPE | NR |
| 5 | 7 | 999288 | | SOLENOID VALVE | NR |

(*) Recommended spare part.

| Page | Spare part position | Spare part code no. | Old code number | Description | U.m. |
|------|---------------------|---------------------|-----------------|----------------------------------|------|
| 5 | 8 | 127102 | | SLEEVE | NR |
| 5 | 9 | 127190 | | SLEEVE | NR |
| 5 | 10 | 143248 | | PIPE | NR |
| 5 | 11 | 127194 | | DELIVERY HOSE | NR |
| 5 | 12 | 480005 | | SALT CONTAINER SCREW CAP | NR |
| 5 | 13 | 456052 | | O-RING | NR |
| 5 | 14 | 429011 | | RING NUT | NR |
| 5 | 15 | 437034 | | GASKET | NR |
| 5 | 16 | 406998 | | SALT CONTAINER UNIT | NR |
| 5 | 20 | 127183 | | SLEEVE | NR |
| 5 | 21 | 499092 | | DIAPHRAGM VALVE VENT | NR |
| 5 | 22 | 476008 | | SPHERE | NR |
| 5 | 23 | 437083 | | GASKET | NR |
| 5 | 24 | 468199 | | PIPE FITTING | NR |
| 5 | 25 | 144992 | | NO RETURN VALVE | NR |
| 5 | 26 | 127185 | | SLEEVE | NR |
| 5 | 27 | 130206 | | DRAIN PUMP (9010722)90220/240-50 | NR |
| 5 | 28 | 127174 | | SLEEVE | NR |
| 6 | 1 | 437113 | | GASKET | NR |
| 6 | 2 | 303018 | | SEALING AND SLIDING RING CL.3 | NR |
| 6 | 3 | 325109 | | PIVOT | NR |
| 6 | 7 | 437117 | | WASHER | NR |
| 6 | 8 | 454006 | | RING NUT | NR |
| 6 | 10 | 990126 | | GRUPPO BR.PARALLELI 40 EB.CPL. | NR |
| 6 | 11 | 325097 | | PIVOT | NR |
| 6 | 13 | 429079 | | RING NUT | NR |
| 6 | 14 | 437108 | | GASKET | NR |
| 6 | 24 | 80700 | | PIVOT | NR |
| 6 | 25 | 129078 | | RINSE ARM | NR |
| 6 | 30 | 990121 | | WASH ASSEMBLY | NR |
| 6 | 32 | 417129 | | UNION NUT WASH/RINSE ARM | NR |
| 6 | 34 | 121156 | | STAINER | NR |

(*) Recommended spare part.

| Page | Spare part position | Spare part code no. | Old code number | Description | U.m. |
|------|---------------------|---------------------|-----------------|--------------------------|------|
| 6 | 35 | 121157 | | STAINER | NR |
| 6 | 36 | 121166 | | STAINER | NR |
| 6 | 46 | 80697 | | RING NUT | NR |
| 6 | 49 | 308031 | | RING NUT | NR |
| 7 | 1 | 130202 | | WASHPUMP LA400 230/50-1N | NR |
| 7 | 2 | 206014 | | CAPACITOR 5MF | NR |
| 7 | 3 | 314011 | | WASH-PUMP BEARING | NR |
| 7 | 4 | 315028 | | PRICE TO BE DEFINED | |
| 7 | 5 | 456084 | | PRICE TO BE DEFINED | |
| 7 | 6 | 141012 | | WASHPUMP SHAFT SEAL | NR |
| 7 | 7 | 141013 | | WASHPUMP SHAFT SEAL | NR |
| 7 | 8 | 124063 | | ELECTROPUMP IMPELLER | NR |
| 7 | 9 | 456083 | | O-RING | NR |
| 7 | 10 | 116035 | | ELECTROPUMP HOUSING | NR |
| 7 | 11 | 035132 | | SUPPORT BRACKET | NR |